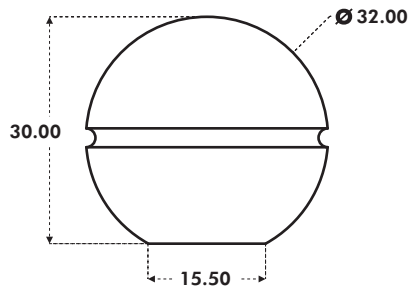


# HANDLE SELECTION GUIDE

## HANDLE C



The conventional choice for power chairs.

**MATERIAL:** Phenolic

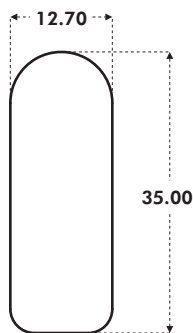
**FINISH:** Gloss

**STANDARD COLOUR:** Black

**OTHER COLOURS:** Upon request

**AVAILABLE:** 1000, 4000, 8000 and 9000 Series

## HANDLE D



A tall cylindrical handle, with an anodised aluminium finish.

**MATERIAL:** Aluminium

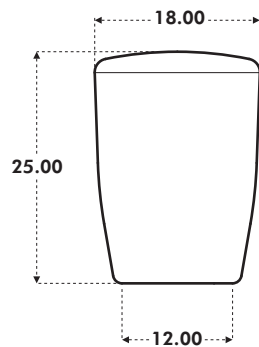
**FINISH:** Anodised

**STANDARD COLOUR:** Black

**OTHER COLOURS:** Not available

**AVAILABLE:** 1000, 4000, 8000 and 9000 Series

## HANDLE E



A mid-size conical handle with a modern look and feel.

**MATERIAL:** Nylon

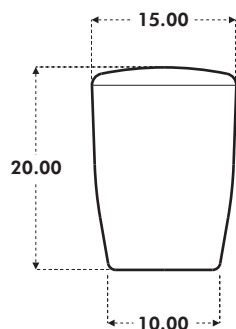
**FINISH:** Matt

**STANDARD COLOUR:** Black

**OTHER COLOURS:** Upon request

**AVAILABLE:** 4000, 8000 and 9000 Series

## HANDLE F



The smallest conical handle for that feel of precision.

**MATERIAL:** Nylon

**FINISH:** Matt

**STANDARD COLOUR:** Black

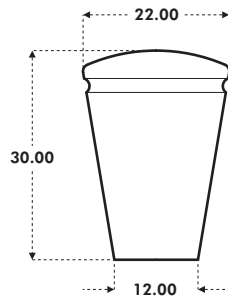
**OTHER COLOURS:** Upon request

**AVAILABLE:** 1000 and 5000 Series

Note: The drawings above are not to scale and all dimensions shown are in millimeters.  
Note: Different colour variants may be subject to minimum order quantities.

# HANDLE SELECTION GUIDE

## HANDLE G



A larger conical handle with a gloss finish.

**MATERIAL:** Phenolic

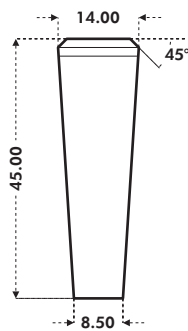
**FINISH:** Gloss

**STANDARD COLOUR:** Black

**OTHER COLOURS:** Not available

**AVAILABLE:** 4000, 8000 and 9000 Series

## HANDLE H



The tallest conical handle with a premium look.

**MATERIAL:** Stainless Steel

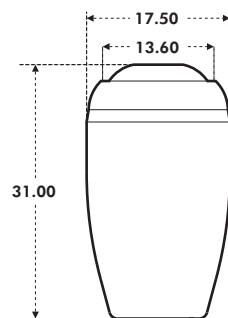
**FINISH:** Polished

**STANDARD COLOUR:** Stainless Steel

**OTHER COLOURS:** Not available

**AVAILABLE:** 1000 and 5000 Series

## HANDLE J



A tactile push button handle using the Apem IP67 sealed, momentary IS Series push button.

**MATERIAL:** ABS

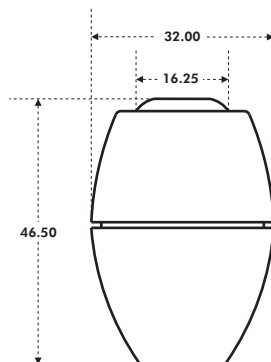
**FINISH:** Matt

**STANDARD COLOUR:** Black

**OTHER COLOURS:** Not available

**AVAILABLE:** 1000 and 9000 Series

## HANDLE K



A large handle with a momentary IS Series switch positioned on the top.

**MATERIAL:** Black ABS

**FINISH:** Sparked matt

**STANDARD COLOUR:** Black

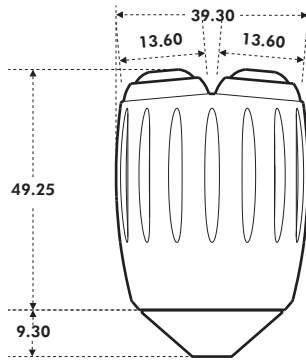
**OTHER COLOURS:** Not available

**AVAILABLE:** 8000 Series

Note: The drawings above are not to scale and all dimensions shown are in millimeters.  
Note: Different colour variants may be subject to minimum order quantities.

# HANDLE SELECTION GUIDE

## HANDLE L



A third axis handle with two tactile, momentary IS Series switches for left and right controls.

**MATERIAL:** Aluminium

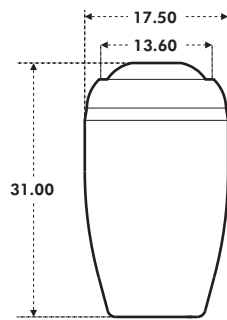
**FINISH:** Hard Anodised

**STANDARD COLOUR:** Black

**OTHER COLOURS:** Upon request

**AVAILABLE:** 9000 Series

## HANDLE M



A tactile push button handle using the Apem IP67 sealed, momentary IS Series push button.

**MATERIAL:** Aluminium

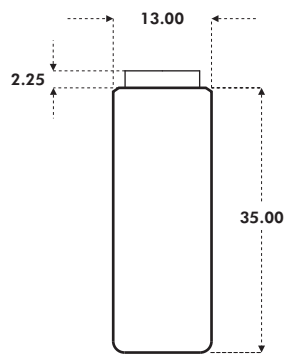
**FINISH:** Anodised

**STANDARD COLOUR:** Black

**OTHER COLOURS:** Upon request

**AVAILABLE:** 1000, 4000 and 9000 Series

## HANDLE N



A soft touch push button handle, using the Apem 9633 Series switch.

**MATERIAL:** Aluminium

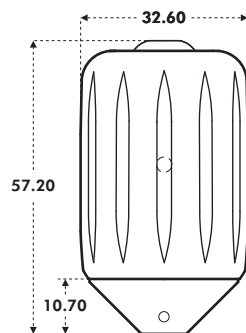
**FINISH:** Anodised

**STANDARD COLOUR:** Black

**OTHER COLOURS:** Upon request

**AVAILABLE:** 4000 and 9000 Series

## HANDLE P



A premium, all metal, third axis handle with the IP67 sealed, momentary IS Series switch.

**MATERIAL:** Aluminium

**FINISH:** Hard Anodised

**STANDARD COLOUR:** Black

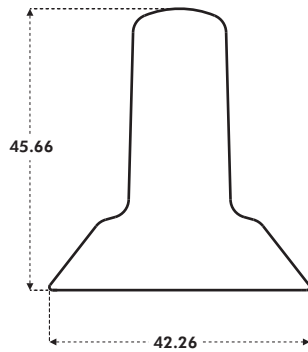
**OTHER COLOURS:** Upon request

**AVAILABLE:** 9000 Series

Note: The drawings above are not to scale and all dimensions shown are in millimeters.  
Note: Different colour variants may be subject to minimum order quantities.

# HANDLE SELECTION GUIDE

## HANDLE Q



An ideal choice in external environments where mechanical protection of the gaiter is desirable.

**MATERIAL:** Nylon

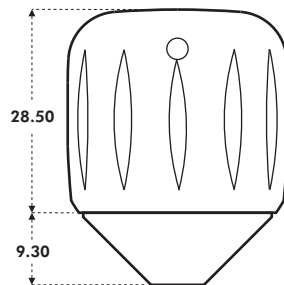
**FINISH:** Matt

**STANDARD COLOUR:** Black

**OTHER COLOURS:** Upon request

**AVAILABLE:** 4000, 8000 and 9000 Series

## HANDLE R



The standard, all metal, third axis handle for supreme robustness with a great look and feel.

**MATERIAL:** Aluminium

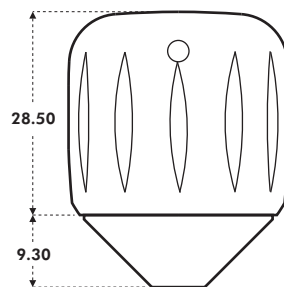
**FINISH:** Hard Anodised

**STANDARD COLOUR:** Black

**OTHER COLOURS:** Upon request

**AVAILABLE:** 4000 and 9000 Series

## HANDLE U



A fixed replica of handle R made with the same great look, feel and robustness.

**MATERIAL:** Aluminium

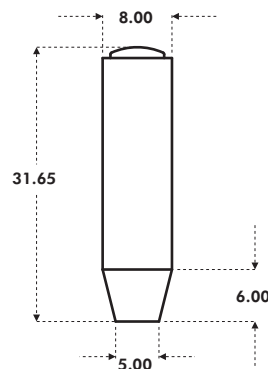
**FINISH:** Hard Anodised

**STANDARD COLOUR:** Black

**OTHER COLOURS:** Upon request

**AVAILABLE:** 4000 and 9000 Series

## HANDLE V



A tall slimline handle for the 5000 Series

**MATERIAL:** ABS

**FINISH:** Gloss

**STANDARD COLOUR:** Black

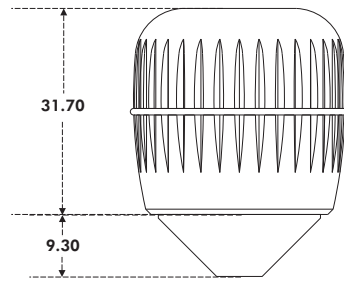
**OTHER COLOURS:** Not available

**AVAILABLE:** 5000 Series

Note: The drawings above are not to scale and all dimensions shown are in millimeters.  
Note: Different colour variants may be subject to minimum order quantities.

# HANDLE SELECTION GUIDE

## HANDLE W



The standard third axis handle for the 5000 Series.

**MATERIAL:** Nylon

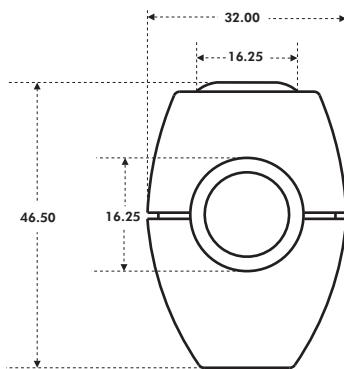
**FINISH:** Matt

**STANDARD COLOUR:** Black

**OTHER COLOURS:** Not available

**AVAILABLE:** 5000 Series

## HANDLE X



A multi functional handle with two momentary IS Series switches one on top and one on the front.

**MATERIAL:** Black ABS

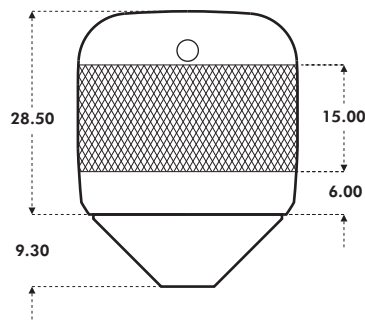
**FINISH:** Sparked matt

**STANDARD COLOUR:** Black

**OTHER COLOURS:** Not available

**AVAILABLE:** 8000 Series

## HANDLE Y



An all metal third axis handle, with a knurled finish, ideal for more industrial environments.

**MATERIAL:** Aluminium

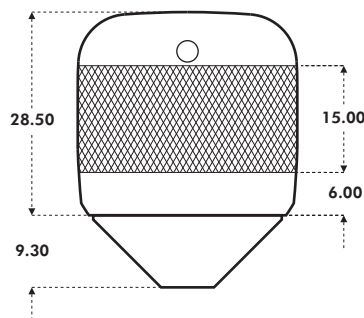
**FINISH:** Anodised with diamond knurl

**STANDARD COLOUR:** Black

**OTHER COLOURS:** Not available

**AVAILABLE:** 4000 and 9000 Series

## HANDLE AA



A fixed metal replica of handle Y with diamond knurl also ideal for industrial environments.

**MATERIAL:** Aluminium

**FINISH:** Anodised with diamond knurl

**STANDARD COLOUR:** Black

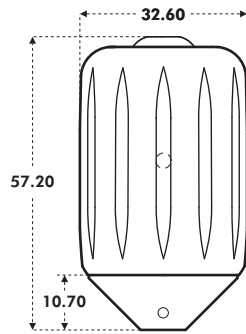
**OTHER COLOURS:** Not available

**AVAILABLE:** 4000 and 9000 Series

Note: The drawings above are not to scale and all dimensions shown are in millimeters.  
Note: Different colour variants may be subject to minimum order quantities.

# HANDLE SELECTION GUIDE

## HANDLE AB



A fixed metal replica of handle P made with the Ip67 sealed, momentary IS Series switch.

**MATERIAL:** Aluminium

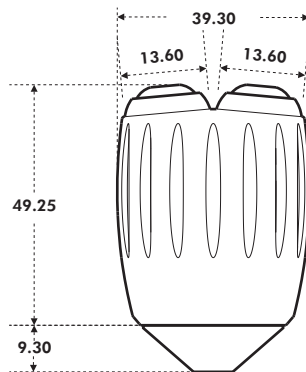
**FINISH:** Hard Anodised

**STANDARD COLOUR:** Black

**OTHER COLOURS:** Upon request

**AVAILABLE:** 9000 Series

## HANDLE AC



A fixed metal replica of handle L made with left and right momentary IS Series switches.

**MATERIAL:** Aluminium

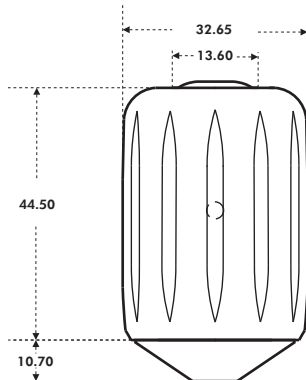
**FINISH:** Hard Anodised

**STANDARD COLOUR:** Black

**OTHER COLOURS:** Upon request

**AVAILABLE:** 9000 Series

## HANDLE AD



A tall third axes handle with one sealed tactile, momentary IA Series switch on the top.

**MATERIAL:** Aluminium

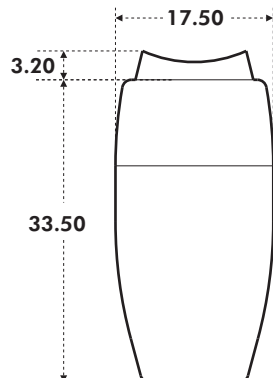
**FINISH:** Hard Anodised

**STANDARD COLOUR:** Black

**OTHER COLOURS:** Upon request

**AVAILABLE:** 9000 Series

## HANDLE AE



A rocker switch handle with a left and right rocking action TR Series switch.

**MATERIAL:** Aluminium

**FINISH:** Hard anodised

**STANDARD COLOUR:** Black

**OTHER COLOURS:** Upon request

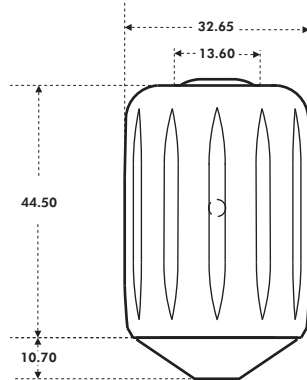
**AVAILABLE:** 1000, 4000 and 9000 Series

Note: The drawings above are not to scale and all dimensions shown are in millimeters.

Note: Different colour variants may be subject to minimum order quantities.

# HANDLE SELECTION GUIDE

## HANDLE AF



A fixed replica of handle AD with one sealed tactile, momentary IA Series switch on top.

**MATERIAL:** Aluminium

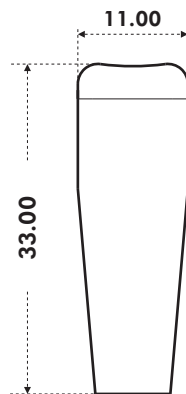
**FINISH:** Hard Anodised

**STANDARD COLOUR:** Black

**OTHER COLOURS:** Upon request

**AVAILABLE:** 9000 Series

## HANDLE AG



A small modern looking stainless steel handle with a polished finish.

**MATERIAL:** Stainless Steel

**FINISH:** Polished

**STANDARD COLOUR:** Stainless Steel

**OTHER COLOURS:** Not available

**AVAILABLE:** 4000 Series open frame only

## FURTHER DETAILS

For connection details of joysticks using handles L, X, AC & AE, please refer to Apem.

Subject to the handle specification and the chosen specification of joystick the quoted parameters and performance of the joystick may change, please refer to Apem for more information on your desired combination.

The total throw of all third axis handles is 55° (+/- 27.5 degrees). As standard the polarity of all the handles is incrementing when turned clockwise.

All third axis handles employ 5K potentiometers as standard regardless of the product series to which they are fitted. The electrical outputs are tailored during manufacture to match the required specification of joystick to which they are fitted.

All switch actuators and bezels are black as standard, on special request these can be produced in other colours, please refer to the data sheet of the desired switch for the other available colours.

As standard handles L, AC and AE have left and right controls, on special request these can be positioned as forward and backward controls if desired.

For further detail on any of the Apem handles, or for technical data on the Apem switches employed, please refer to your local Apem sales representative.