

R200 series

Removable Bezel Trackball



DISTINCTIVE FEATURES

2.00" diameter thermoset phenolic ball

Removable bezel

USB 2.0 protocol

Available with backlit illumination

Additional button strips available



ENVIRONMENTAL SPECIFICATIONS

- Operating Temperature: -15 °C to +70 °C (-5 °F to +158 °F)
- Storage Temperature: -32 °C to +75 °C (-25.6 °F to +167 °F)



ELECTRICAL SPECIFICATIONS

- USB: Input: 4.75 V - 5.25 V @ 25 mA max Output: USB 2.0

Note: All values are nominal.



MECHANICAL SPECIFICATIONS

- Dimensions: 2.36" W x 2.36" D x 1.51" H
- Mechanical: 5,000,000 180° rotations with 6 ounces of vertical force
- Mounting position: 180 °horizontal to 90° vertical
- Mass/Weight: 235.5 g (8.31 oz)
- Ball diameter: 2.00" (50.88 mm)
- Ball rotation: 360°
- Tracking force: 10 g (0.35 oz)



MATERIALS

- Housing: Glass filled nylon
- Ball (black): Thermoset phenolic resin
(clear): Translucent thermoset resin
- Shafts: Polished stainless steel
- Bearings: Encased stainless steel

The company reserves the right to change specifications without notice.



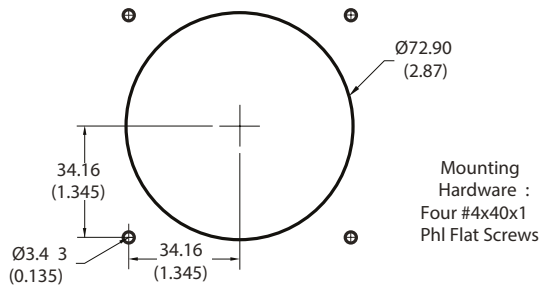
R200 series

Removable Bezel Trackball



MOUNTING

- 180° horizontal to 90° vertical



CONFIGURATION OPTIONS

- LED backlighting: Clear through a translucent thermoset resin ball

Additional pushbutton switch: Two or three buttons

- Connector cables

R200 series

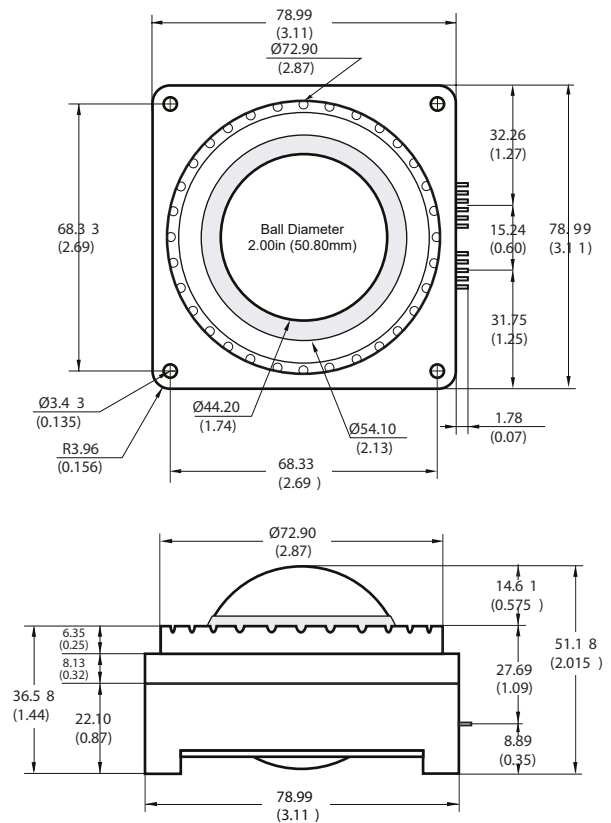
Removable Bezel Trackball



BUILD YOUR PART NUMBER

SERIES	MODEL	PROTOCOL FORMAT	MOUNTING POSITION	RESOLUTION	POWER REQUIREMENT	ILLUMINATION
R	200	7 USB 2.0	F Level to 45° N Level to 90°	10 120 DPI 20 240 DPI 30 480 DPI	V00	C Clear Blank None * * Black ball

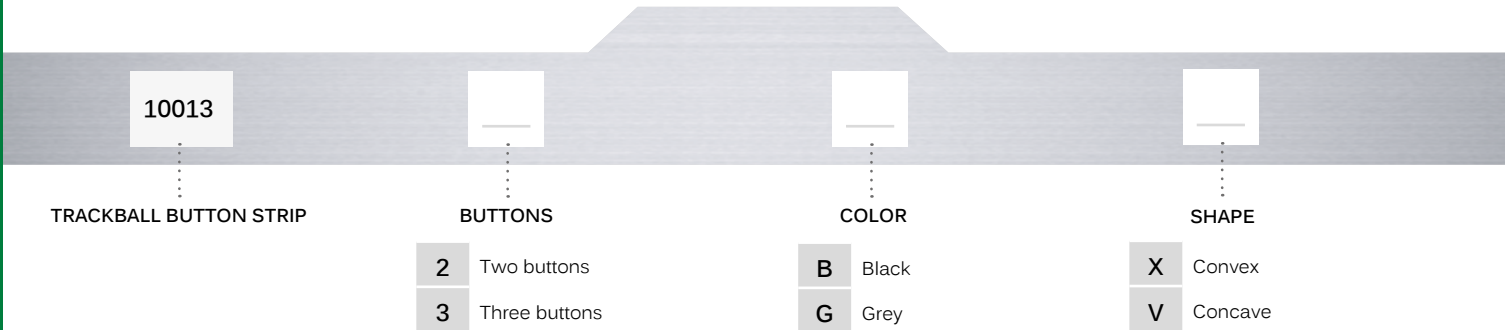
DIMENSIONS



R200 series

Removable Bezel Trackball • Button strip

BUTTON STRIP CONFIGURATION

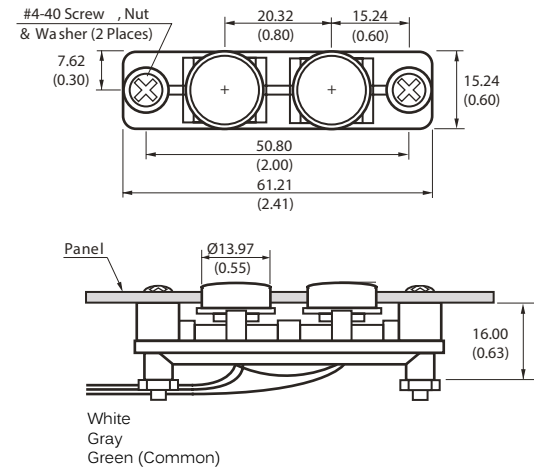


- Two or three buttons
- Tactile feedback
- Normally open momentary contact switch
- Black or grey buttons, choice of convex or concave

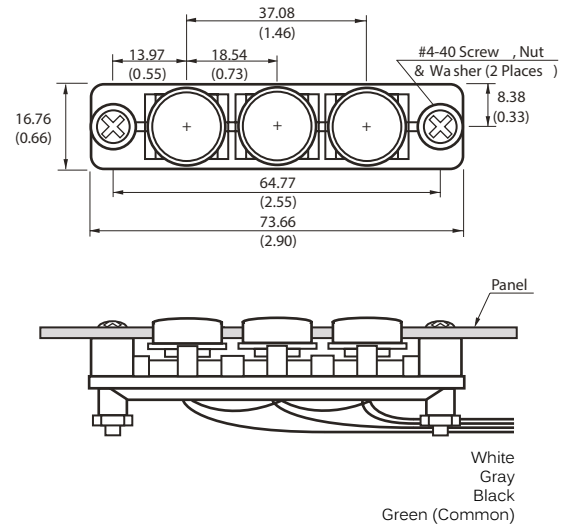
BUTTON STRIP - TWO BUTTONS



BUTTON SHAPE



BUTTON STRIP - THREE BUTTONS



All dimensions are in mm / (inch).