

# 1000 series

Toggle switches • metal lever •  
economy range



## DISTINCTIVE FEATURES

Butt action contacts

Optional insulated levers (X213 and X490)



## ELECTRICAL SPECIFICATIONS

- Max. current/voltage rating with resistive load :
  - silver contacts (A) : 6 A 30 VDC
  - silver plated copper contacts (C) : 1 A 30 VDC
- Initial contact resistance : 10 mΩ max.
- Insulation resistance : 1,000 MΩ min. at 500 VDC
- Dielectric strength : 2,000 Vrms 50 Hz min. between terminals,  
2,500 Vrms 50 Hz min. between terminals and frame
- Electrical life : 10,000 cycles at full load



## GENERAL SPECIFICATIONS

- Torque : 1.50 Nm (1.10 Ft.lb) max. applied to nut
- Panel thickness : 5 mm (.196) max.
- Operating temperature : -20 °C to +55 °C (-4 °F to +131 °F)

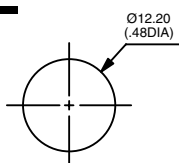


## MATERIALS

- Case : function 1 : phenolic resin, functions 6 & 9 : polyamide
  - Actuator : brass, nickel plated (1010 and 1020 models); polyamide (1030 models)
  - Bushing : brass, nickel plated
  - Contacts : **A** : silver, **C** : copper, silver plated
- APEM products may be recycled at end-of-life for the re-claiming of valuable metal components.



## PANEL CUT-OUT



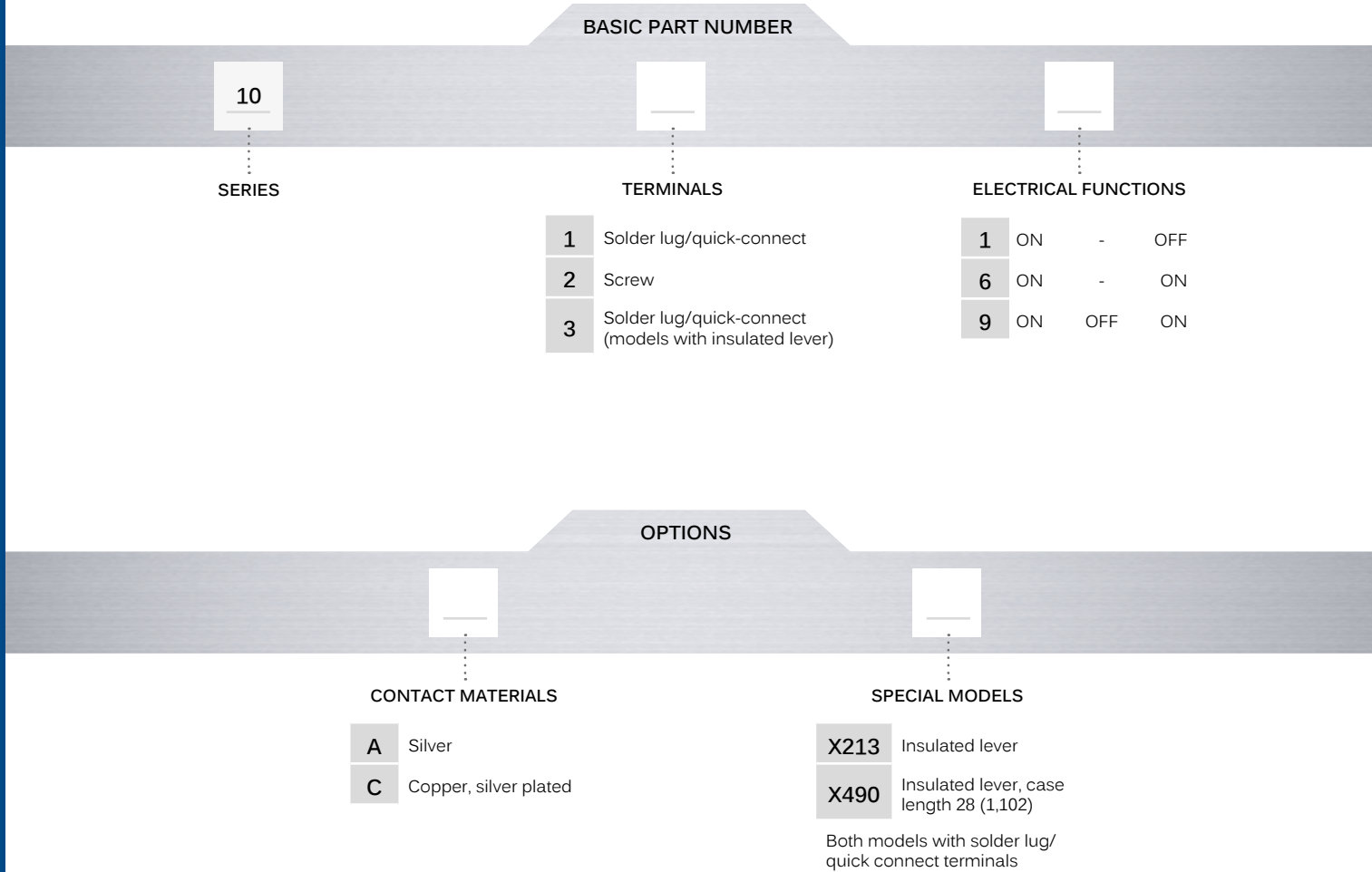
The company reserves the right to change specifications without notice.



# 1000 series




Toggle switches • metal lever • economy range

## BUILD YOUR PART NUMBER



## ABOUT THIS SERIES

On the following pages, you will find successively basic part numbers of switches and options in the same order as in above chart.

-  **Notice** : please note that not all combinations of above numbers are available. Refer to the following pages for further information.
-  **Sealing boots** are available to protect the switches against dust and water. See "Sealing Boots" section of website.
-  **Mounting accessories** : standard hardware supplied : 1 hex nut U166 + 1 knurled nut U411

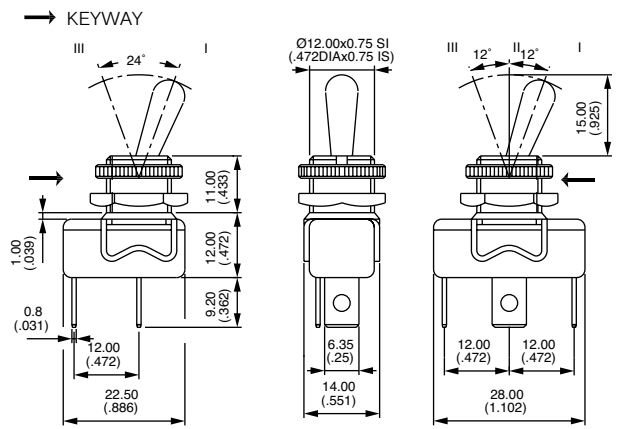
# 1000 series

Toggle switches • metal lever • economy range

## SOLDER LUG/QUICK-CONNECT TERMINALS



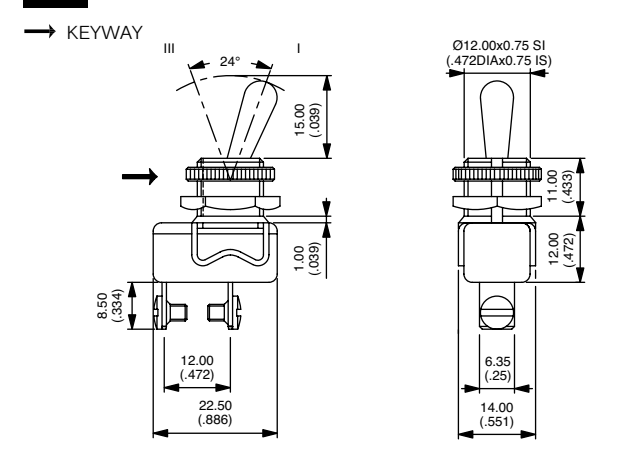
	I	II	III
1011	ON	-	OFF
1016	ON	-	ON
1019	ON	OFF	ON



## SCREW TERMINALS



	I	II	III
1021	ON	-	OFF

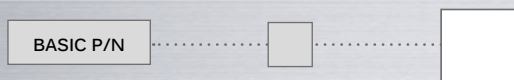


### CONTACT MATERIALS



- A Silver
- C Copper, silver plated

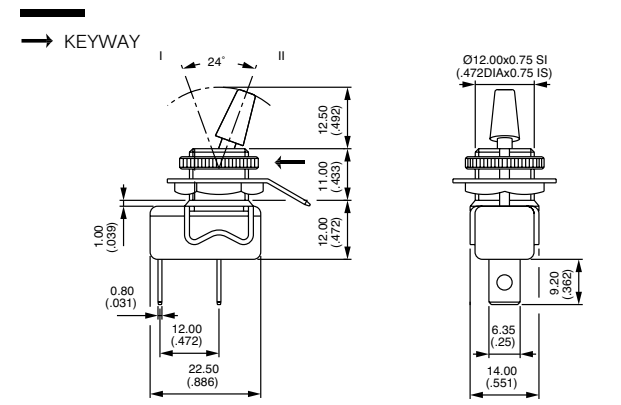
### SPECIAL OPTIONS



## INSULATED LEVER - X213



	I	II
Silver plated copper contacts	OFF - ON	ON - ON
1031CX213	OFF - ON	
1036CX	ON - ON	
213		

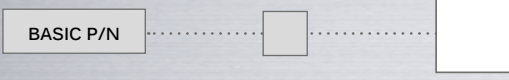


Ground connector **U187** compulsory if the panel is not metallic or not connected to ground. Order separately, see "Hardware" section of website.

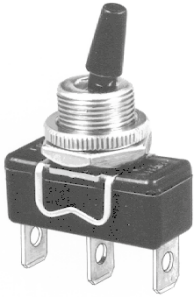
# 1000 series

Toggle switches • metal lever • economy range

## SPECIAL OPTIONS (CONTINUED)



### INSULATED LEVER - X490



	I	II	III
Silver contacts <b>1036 X490</b>	ON	-	ON
Silver plated copper contacts <b>1039 X490</b>	ON	OFF	ON

### KEYWAY

